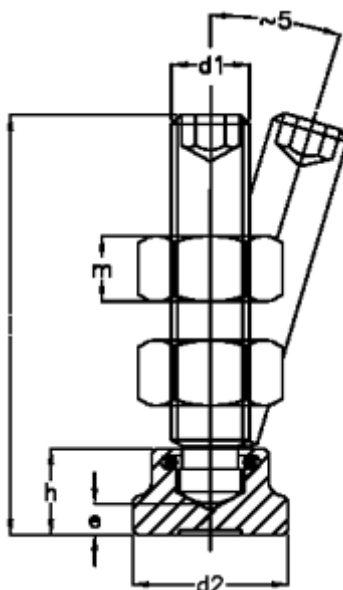


Article number: 20940664A

Description: E+G Clamping bolt  
GN 802-M10-44

## Measures

---



d1 = M10

d2 = 20

e = 3,6

h = 11

l1 = 44

m = 8.4